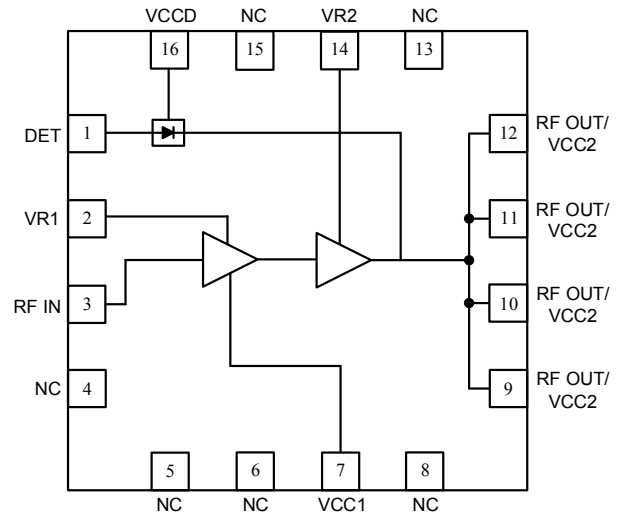


Pb-free & RoHS Product

Features

- 2.4~2.5GHz Frequency Range
- 3.3V~6.0V Operation
- 20dB~22dB Gain
- 34dBm P1dB@VCC=6.0V
- 2.5% EVM@28 dBm for 802.11g 54Mbps, 6.0V
- 1.8% EVM@27 dBm for 802.11g 54Mbps, 6.0V
- 260mA~300mA Quiescent Current
- ≥ 15 dB Input Return Loss
- Integrated Output Power Detector
- Advanced InGaP/GaAs HBT Technology



Functional Block Diagram

Applications

- IEEE 802.11b/g/n WLAN
- 2.4GHz ISM Wireless Equipment

Product Description

The YP242034 is a high-power PA based on the highly-reliable InGaP/GaAs HBT technology. It can be easily configured for high-power, high-gain applications with super power-added efficiency while operating over the 2.4~2.5GHz frequency band. The YP242034 is assembled in a 16-pin, 4×4mm², QFN package. It is internally integrated with ESD protection unit.

Ordering Information

- YP242034 2.4GHz 802.11b/g/n WLAN Power Amplifier
- YP242034EVB 2.4GHz to 2.5GHz Evaluation PCB